

# VIPERCUT 30

## PLASMA CUTTER



**1 YEAR Warranty**  
(POWERSOURCE)

# OPERATING MANUAL

PLEASE READ AND UNDERSTAND THIS MANUAL CAREFULLY BEFORE THE INSTALLATION AND OPERATION OF THIS EQUIPMENT

CONTENTS	PAGE
Warranty	2
Safety - Cautions	3-5
Air Plasma Cutting Technology Technical Data,	6
Product Information Machine Layout &	7
Descriptions	8
Set Up and Operating Procedure Plasma Cutting	9-10
Procedure & Techniques	11-13
Torch spare parts	14
Machine Warranty + Notes	15-18

Thank you for your purchase of your ViperCut Plasma Cutting Machine.

We are proud of our range of welding equipment that has a proven track record of innovation, performance and reliability. Our product range represents the latest developments in Inverter technology put together by our professional team of highly skilled engineers. The expertise gained from our long involvement with inverter technology has proven to be invaluable towards the evolution and future development of our equipment range. This experience gives us the inside knowledge on what the arc characteristics, performance and interface between man and machine should be. Within our team are specialist welders that have a proven history of welding knowledge and expertise, giving vital input towards ensuring that our machines deliver control and performance to the utmost professional level. We employ an expert team of professional sales, marketing and technical personnel that provide us with market trends, market feedback and customer comments and requirements. Secondly they provide a customer support service that is second to none, thus ensuring our customers have confidence that they will be well satisfied both now and in the future.

VIPERCUT PLASMA Machines are manufactured and compliant with - CAN/CSA E60974-1 & ANSI/IEC 60974-1, guaranteeing you electrical safety and performance.

# VIPERCUT

## California Proposition 65

**WARNING:** This product contains or produces a chemical known to the State of California to cause cancer and birth defects (or other reproductive harm) (California Health and Safety Code Section 25249.5 et seq.)

**WARNING:** This product, when used for welding or cutting, produces fumes or gases which contain chemicals known to the State of California to cause birth defects and, in some cases, cancer (California Health and Safety Code Section 25249.5 et seq.).

### INFORMATION SOURCES

- California Health and Safety Code, Section 25249.4 through 25249.13.
- The California Office of Environmental Health Hazard Assessment, 301 Capitol Mall, Sacramento, CA 95814; telephone 916-445-6900.
- California Proposition 65 website: [www.oehha.ca.gov/prop65.html](http://www.oehha.ca.gov/prop65.html).
- American National Standards Institute (ANSI). Product Safety Signs And Labels (ANSI Z535.4), available from ANSI, 25 West 43rd Street, New York, NY 10036; telephone: 212-642-4900; web site: [www.ansi.org](http://www.ansi.org).

## WARRANTY

- 1 Year from date of purchase.
- JASIC Technologies America Inc warranties all goods as specified by the manufacturer of those goods.
- This Warranty does not cover freight or goods that have been interfered with.
- All goods in question must be repaired by an authorized repair agent as appointed by this company.
- Warranty does not cover abuse, mis-use, accident, theft, general wear and tear.
- New product will not be supplied unless JASIC Technologies America Inc has inspected the product returned for warranty and agree to replace.
- Product will only be replaced if repair is not possible
- Please view full Warranty terms and conditions supplied at the back of this manual.

# SAFETY



IMPORTANT: BEFORE INSTALLING, OPERATING OR CARRYING OUT MAINTENANCE ON THE PLASMA CUTTER, READ THE CONTENTS OF THIS MANUAL CAREFULLY, WHICH MUST BE STORED IN A PLACE FAMILIAR TO ALL USERS FOR THE ENTIRE OPERATIVE LIFE-SPAN OF THE MACHINE.  
PAY PARTICULAR ATTENTION TO THE SAFETY RULES.  
THIS EQUIPMENT MUST BE USED SOLELY FOR PLASMA CUTTING.

## MACHINE OPERATING SAFETY

Plasma cutting equipment can be dangerous to both the operator and people in or near the surrounding working area, if the equipment is not correctly operated. Equipment must only be used under the strict and comprehensive observance of all relevant safety regulations. Read and understand this instruction manual carefully before the installation and operation of this equipment.



Electric shock: It can kill. Touching live electrical parts can cause fatal shocks or severe burns. The plasma nozzle and work circuit is electrically live whenever the output is on. The input power circuit and internal machine circuits are also live when power is on. Do not touch live electrical parts or electrodes with bare skin, gloves or wet clothing. Incorrectly installed or improperly grounded equipment is dangerous.

- Connect the primary input cable according to American standards and regulations. ANSI Z49.1.
- Disconnect power source before performing any service or repairs.
- Avoid all contact with live electrical parts of the welding circuit, torch nozzle and work piece with bare hands. The operator must wear dry welding gloves while he/she performs the plasma cutting task.
- Isolate yourselves from both the earth and the work piece.
- Keep cords dry, free of oil and grease, and protected from hot metal and sparks.
- Frequently inspect input power cable for wear and tear, replace the cable immediately if damaged, bare wiring is dangerous and can kill.
- Do not use damaged, under sized, or badly joined cables.
- Do not drape cables over your body.
- We recommend (RCD) safety switch is used with this equipment to detect any leakage of current to earth.



Fumes and gases are dangerous. Plasma cutting produces fumes and gases. Harmful fumes and metallic powders are produced during the cutting operation. Metals which are painted or coated or which contain mercury, zinc, lead and graphite may produce harmful concentrations of toxic fumes during cutting. Breathing these fumes and gases can be hazardous to your health.

- Do not breathe the smoke and gas generated whilst welding or cutting, keep your head out of the fumes
- Keep the working area well ventilated, use fume extraction or ventilation to remove welding fumes and gases.
- In confined or heavy fume environments always wear an approved air-supplied respirator. Cutting fumes and gases can displace air and lower the oxygen level causing injury or death. Be sure the breathing air is safe.
- Do not cut in locations near de-greasing, cleaning, or spraying operations. The heat and rays of the arc can react with vapours to form highly toxic and irritating gases.
- Materials such as galvanized, lead, or cadmium plated steel, containing elements that can give off toxic fumes when cutting. Do not cut these materials unless the area is very well ventilated, and or wearing an air supplied respirator.
- Always read the Material Safety Data Sheets (MSDS) that should be supplied with the material you are using. These MSDSs will give you the information regarding the kind and amount of fumes and gases that may be dangerous to your health.



Arc rays: harmful to people's eyes and skin. Arc rays from the plasma cutting process produce intense visible and invisible ultraviolet and infrared rays that can burn eyes and skin. Protect your eyes with welding masks or goggles fitted with filtered lenses, and protect your body with appropriate safety garments. Protect others by installing adequate shields or curtains.

- Always wear a helmet or goggles with correct shade of filter lens and suitable protective clothing including welding gloves, apron, leg and foot protection whilst the plasma cutting operation is performed.
- Measures should be taken to protect people in or near the surrounding working area. Use protective screens or barriers to protect others from flash, glare and sparks; warn others not to watch the arc.

Fire hazard. Plasma cutting on closed containers, such as tanks, drums, or pipes, can cause them to explode. Flying sparks from the welding arc, hot work piece, and hot equipment can cause fires and burns. Accidental contact of electrode to metal objects can cause sparks, explosion, overheating, or fire. Check and be sure the area is safe before doing any cutting.

- The cutting sparks may cause fire, therefore remove any flammable materials well away from the working area. Cover flammable materials and containers with approved covers if unable to be moved from the welding area.



• Do not Plasma Cut closed containers such as tanks, drums, or pipes, unless they are properly prepared according to the required Safety Standards to insure that flammable or toxic vapors and substances are totally removed, these can cause an explosion even though the vessel has been "cleaned". Vent hollow castings or containers before heating, cutting or welding. They may explode causing serious injury or death.

- Do not cut where the atmosphere may contain flammable dust, gas, or liquid vapours (such as petrol)
- Have a fire extinguisher nearby and know how to use it. Be alert that cutting sparks and hot materials from cutting can easily go through small cracks and openings to adjacent areas. Be aware that cutting on a ceiling, floor, bulkhead, or partition can cause fire on the hidden side.



Gas Cylinders. Do not cut in the vicinity of pressurised gas cylinders or in the presence of explosive dust, gases or fumes. Gas cylinders contain gas under high pressure. If damaged, a cylinder can explode. Because gas cylinders are normally part of the welding process, be sure to treat them carefully. CYLINDERS can explode if damaged.

- Protect gas cylinders from excessive heat, mechanical shocks, physical damage, slag, open flames, sparks, and arcs.
- Insure cylinders are held secure and upright to prevent tipping or falling over.
- Never allow the plasma nozzle or earth clamp to touch the gas cylinder, do not drape welding cables over the cylinder.
- Never plasma cut on a pressurised gas cylinder, it will explode and kill you.
- Open the cylinder valve slowly and turn your face away from the cylinder outlet valve and gas regulator.



Electronic magnetic fields. The magnetic fields created by the high currents generated by plasma cutting may affect the operation of pacemakers and other vital electronic medical equipment.

- Wearers of Pacemakers and other Implanted Medical Devices should keep away.
- Implanted Medical Device wearers should consult their doctor and the device manufacturer before going near any electric welding, cutting or heating operation.



Noise can damage hearing. Noise from some processes or equipment can damage hearing. This machine does not directly produce noise exceeding 80dB. The plasma cutting/welding procedure may produce noise levels beyond said limit; users must therefore implement all precautions required by law. Wear approved ear protection if noise level is high.



Hot parts. Items being plasma cut generate and hold high heat and can cause severe burns. Do not touch hot parts with bare hands. Allow a cooling period before working on the plasma torch. Use insulated welding gloves and clothing to handle hot parts and prevent burns.

## CAUTION

### 1. Working Environment.

- 1.1 The environment in which this welding equipment is installed must be free of grinding dust, corrosive chemicals, flammable gas or materials etc, and at no more than maximum of 80% humidity.
- 1.2 When using the machine outdoors protect the machine from direct sun light, rain water and snow etc; the temperature of working environment should be maintained within -14°F to +104°F..
- 1.3 Keep this equipment 1ft distant from the wall.
- 1.4 Ensure the working environment is well ventilated.

### 2. Safety Tips.

#### 2.1 Ventilation

This equipment is small-sized, compact in structure, and of excellent performance in amperage output. The fan is used to dissipate heat generated by this equipment during the welding operation.

Important: Maintain good ventilation of the louvers of this equipment. The minimum distance between this equipment and any other objects in or near the working area should be 1ft. Good ventilation is of critical importance for the normal performance and service life of this equipment.

#### 2.2 Thermal Overload protection.

Should the machine be used to an excessive level, or in high temperature environment, poorly ventilated area or if the fan malfunctions the Thermal Overload Switch will be activated and the machine will cease to operate. Under this circumstance, leave the machine switched on to keep the built-in fan working to bring down the temperature inside the equipment. The machine will be ready for use again when the internal temperature reaches safe level.

#### 2.3 Over-Voltage Supply

Regarding the power supply voltage range of the machine, please refer to "Main parameter" table. This equipment is of automatic voltage compensation, which enables the maintaining of the voltage range within the given range. In case that the voltage of input power supply amperage exceeds the stipulated value, it is possible to cause damage to the components of this equipment. Please ensure your primary power supply is correct.

- 2.4 Do not come into contact with the output terminals while the machine is in operation. An electric shock may possibly occur.

## MAINTENANCE

Exposure to extremely dusty, damp, or corrosive air is damaging to the welding machine. In order to prevent any possible failure or fault of this welding equipment, clean the dust at regular intervals with clean and dry compressed air of required pressure.

Please note that: lack of maintenance can result in the cancellation of the guarantee; the guarantee of this welding equipment will be void if the machine has been modified, attempt to take apart the machine or open the factory-made sealing of the machine without the consent of an authorized representative of the manufacturer.

## TROUBLE SHOOTING

Caution: Only qualified technicians are authorized to undertake the repair of this Plasma cutter equipment. For your safety and to avoid Electrical Shock, please observe all safety notes and precautions detailed in this manual.

Note:

- Our equipment as described in this manual conforms to all applicable rules and regulations of the 'LowVoltage Directive' (European Council Directive 73/23/EEC) as set out and amended by Council Directive 93/68/EEC) and to the National legislation for the enforcement of this Directive.
- Our equipment as described in this manual conforms to all applicable rules and regulations of the European Council Directive 89/336/EEC, (EMC Directive) and to the National legislation for he enforcement of this Directive.



# AIR PLASMA CUTTING TECHNOLOGY

Plasma cutters work by passing an electric arc through a gas that is passing through a constricted opening. The gas can be air, nitrogen, argon, oxygen, etc. The electric arc elevates the temperature of the gas to the point that it enters a 4th state of matter. We all are familiar with the first three: i.e., Solid, liquid, and gas. Scientists call this additional state plasma. As the metal being cut is part of the circuit, the electrical conductivity of the plasma causes the arc to transfer to the work. The restricted opening (nozzle) the gas passes through causes it to squeeze by at a high speed, like air passing through a venturi in a carburettor. This high speed gas cuts through the molten metal.

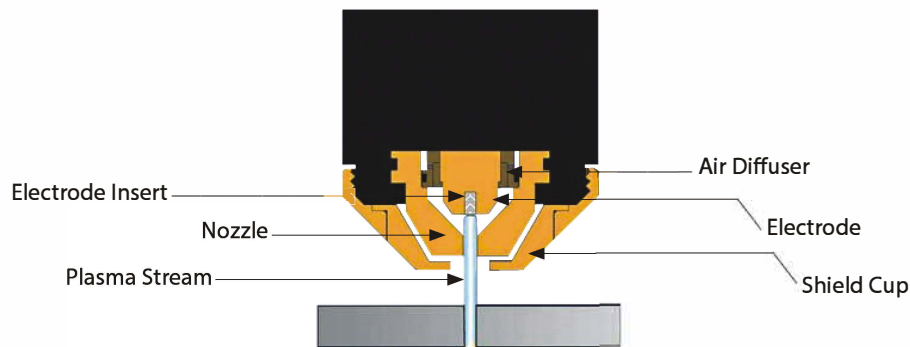
Plasma cutting was invented as the result of trying to develop a better welding process. Many improvements then led to making this technology what it is today. Plasma cutters provide the best combination of accuracy, speed, and affordability for producing a variety of flat metal shapes. They can cut much finer, and faster than oxy-acetylene torches.

How a plasma cutter works:

Basic plasma cutters use electricity to superheat air into plasma (the 4th state of matter), which is then blown through the metal to be cut. Plasma cutters require a compressed air supply and AC power to operate.

Operation:

1. When the trigger is squeezed, DC current flows through the torch lead into the nozzle.
2. Next, compressed air flows through the torch head, through the air diffuser that spirals the air flow around the electrode and through the hole of the cutting nozzle.
3. A fixed gap is established between the electrode and the nozzle. (The power supply increases voltage in order to maintain a constant current through the joint.) Electrons arc across the gap, ionizing and superheating the air creating a plasma stream.
4. Finally, the regulated DC current is switched so that it no longer flows to the nozzle but instead flows from the electrode to the work piece. Current and airflow continue until cutting is stopped.



Notes:

The nozzle and electrode require periodic replacement. The electrode has an insert of tough high conductive material such as hafnium and cerium. This insert erodes with use, also the nozzle orifice will erode with use. Quality of the air used is paramount to longer life of electrodes and nozzles, in short clean dry air gives longer parts life, the cleaner and dryer the better. We recommend use of a Plasma Air Filter.

What kinds of materials can the plasma cut?

Virtually any metal can be plasma cut including steel, stainless steel, aluminium, brass, copper, etc. Any thickness from 30 gauge through 13/16" can be cut, depending on the power of the plasma cutter used.

How Does Plasma Cutting Compare to Oxy-fuel (gas) cutting?

Plasma cutting can be performed on any type of conductive metal - mild steel, aluminium and stainless are some examples. With mild steel, operators will experience faster, thicker cuts than with alloys. Oxy-fuel cuts by burning, or oxidizing the metal it is severing. It is therefore limited to steel and other ferrous metals which support the oxidizing process. Metals like aluminium and stainless steel form an oxide that inhibits further oxidation, making conventional oxy-fuel cutting impossible. Plasma cutting however does not rely on oxidation to work and thus it can cut aluminium, stainless and any other conductive material. While different gasses can be used for plasma cutting, most people today use compressed air for the plasma gas. In most shops, compressed air is readily available, and thus plasma does not require fuel gas and compressed oxygen for operation. Plasma cutting is typically easier for the novice to master, and on thinner materials, plasma cutting is much faster than oxy-fuel cutting. However, for heavy sections of steel (1" and greater), oxy-fuel is still preferred since oxy-fuel is typically faster and, for heavier plate applications high powered plasma machines are required for plasma cutting applications.

What are the limitations to Plasma Cutting? Where is Oxyfuel preferred?

The plasma cutting machines are typically more expensive than oxy/acetylene. Also, oxy/acetylene does not require access to electrical power or compressed air which may make it a more convenient method for some users. Oxyfuel can generally cut thicker sections (>63/64 inch) of steel more quickly than plasma

**110/230V Single Phase 30 Amp Plasma Cutter**  
**Small, Lightweight and Portable**

**Features**

This model's main functional features are

- Double plastic panel
- Current regulation
- Delay shut gas
- Panel gauge display
- Built-in air filter (Adjustable)
- Euro connector for Torch
- CUT30C Low frequency arc
- Small & light : 20.25 Pounds
- Dual Voltage



- DUAL VOLTAGE 110V ~ 230
- 1/4 INCH CUTTING CAPACITY ON MILD STEEL
- ADJUSTABLE AIR FILTER REGULATOR
- AIR FLOW PRESSURE -75PSI
- AIR FLOW RATE -6CFM
- 35% @ 30AMP DUTY CYCLE
- IP21S RATING FOR ENVIROMENTAL / SAFETY PROTECTION
- LOW FREQUENCY ARC STRIKING METHOD
- EFFICIENCY -85%
- RATED INPUT POWER- 5.5KVA
- COOLING METHOD - FAN COOLED
- LIGHT WEIGHT - MACHINE ONLY 20.25 POUND
- COMPLIANT TO - CAN/CSA-E60974-1 / ANSI/IEC 60974-1

The new **VIPERCUT30** Air Plasma machine is JASIC Technologies latest offering in Inverter Technology. Small and extremely efficient, it is one of the most portable single phase Inverter Cutting Machines on the market today. The machine comes with an adjustable Air-regulator, 12ft Viper torch and a return lead, starting consumable pack and an easy to understand operation Manual Plus a 12 month Warranty\*.

(Power Source)

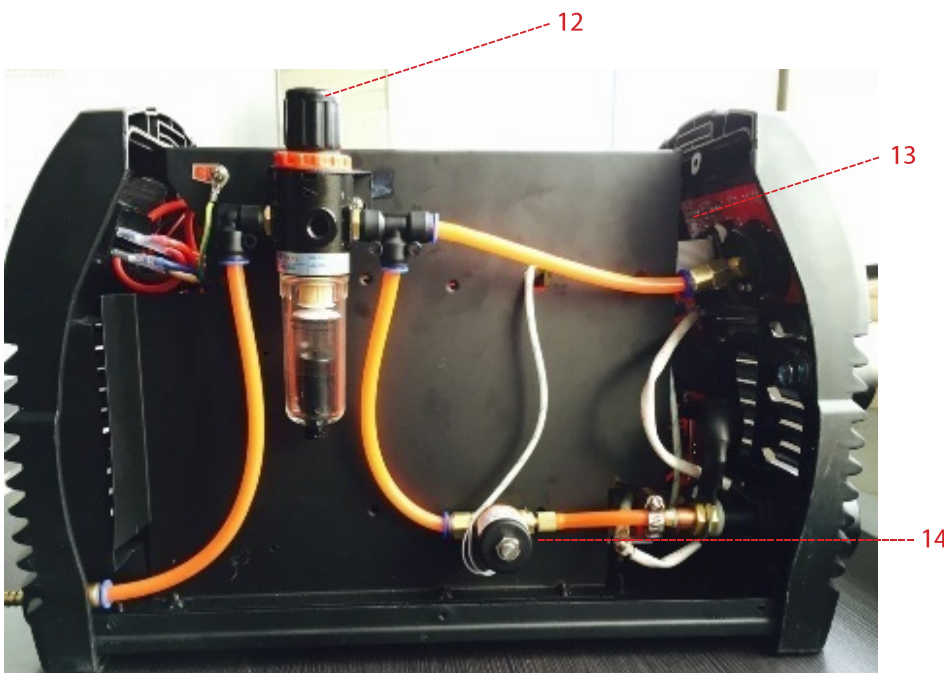
Machine complete with TRF45-12Ft  
 Torch Code:**JVPC30LT12**



RWPR106  Extended Electrodes	RWPD-0116-8  Cutting Nozzles	RWSC-2551  Buggy	RWPC-0116  Retaining Cap
RWPD103-9  Extended nozzles	RWPE-106  Swirl Ring	RWPR-0110  Electrodes	RWSC2540  Standoff guide







- 1- TORCH CONNECTION
- 2- EARTH CONNECTION
- 3- AIR PRESSURE GAUGE
- 4- CURRENT ADJUSTMENT
- 5- CUTTING MODE SWITCH
- 6- TRIGGER LATCH OPERATION
- 7- CUTTING OPERATION LIGHT
- 8- OVERLOAD LIGHT
- 9- POWER LIGHT
- 10- POWER SWITCH
- 11- INPUT POWER CABLE
- 12- AIR REGULATOR
- 13- CONTROL PCB
- 14- MAGNETIC VALVE

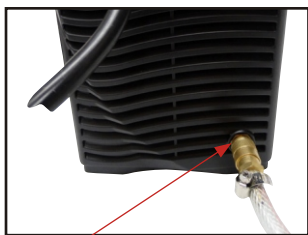
- (1) Connect the Plasma Torch to the machine. Insert the torch connection into the torch connection receptacle at the front of the machine and screw up hand tight.  
Caution: Be careful not to bend the pins located inside the torch connector.
- (2) Connect the earth lead to the output terminal of the machine and tighten.
- (3) Connect the air supply to the air connection located at the rear of the machine.  
Turn on the air supply
- (4) Connect the machine to the correct power supply and switch on the machine using the on/off switch located at the rear of the machine.
- (5) Select 2T / 4T operation  
Operating procedure using the 2T / 4T Function with Plasma torch.  
Set torch operation 2T / 4T.
  - When 2T operation is selected press trigger Arc starts, release trigger Arc stops.
  - When 4T operation is selected press and release trigger Arc starts, press and release trigger Arc stops.
- (6) Set amperage dial.



(1) Connect the Plasma Torch to the machine. Insert the torch connection into the torch connection receptacle at the front of the machine and screw up hand tight.  
Caution: Do not to bend the pins located inside the torch connector.



(2) Connect the earth lead to the output terminal of the machine and tighten.



(3) Connect the air supply to the air connection located at the rear of the machine. Turn on the air supply.



(4) Connect the machine to the correct power supply and switch on the machine using the on/off switch located at the rear of the machine..

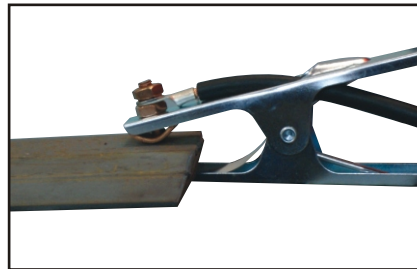


(5) select 2T or 4T torch control .2T is standard manual operation mode



(6) Set the amperage dial and ensure switch is in Cutting mode

Operating procedure using the Stand Off Guide mounted to the Plasma torch. The feet of the standoff guide are placed on the cutting surface. This maintains an optimal 5/64" standoff distance between the plasma cutting tip and the work, this is especially suitable if your hands are unsteady, or if you wish to use a straight edge guide or pattern guide. It also helps extend tip life.

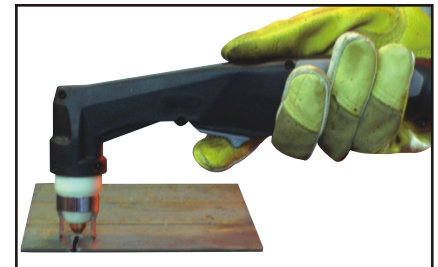
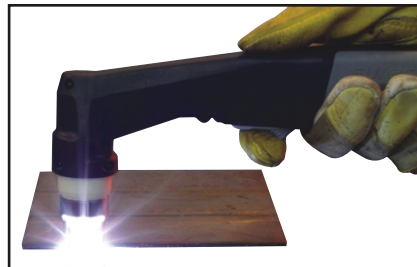


1) Wear your safety gear. Generally you want the same type of protective gear as when welding. Plasma has high arc voltage if the job or bench is wet and you place your hand or arm on it you can become part of the circuit and receive a shock, be sure you are wearing leather gloves, Full length pants and covered shoes, Wear eye protection a #5 shade is the minimum eye protection with other shades required depending on amperage. A face shield is also recommended,

2) Connect the Earth Clamp securely to the work piece or the work bench.

3) Place and hold the torch vertical at the edge of the plate

Please note: Torch handle and shape varies from Machine to Machine.



4) Pull the trigger to energise the pilot arc. The cutting arc will start when the nozzle is moved closer to the edge of the work piece. When the cutting arc has cut through the edge of the plate start moving evenly in the direction you wish to cut,

5) Correct amperage and travel speed are important and relevant to material thickness and are correct when sparks are exiting from the work piece. If sparks are spraying up from the work piece there is insufficient amps selected or the travel speed is too fast.

6) To finish the cutting release the torch switch. The air flow will continue for 30 seconds to cool the torch head.

**Cut Quality**

A clean cut depends on several factors:

- amperage
- travel speed
- tip height & position
- tip and electrode quality
- air pressure and quality
- technique

Poor quality cut



Good quality cut



The best quality cut will be produced when all these variables are set correctly for the material thickness and type of material being cut.

- Amperage

Standard rule of thumb is the thicker the material the more amperage required.

On thick material, set the machine to full output and vary your travel speed. On thinner material, you need to turn down the amperage and change to a lower-amperage tip to maintain a narrow kerf. The kerf is the width of the cut material that is removed during cutting.

- Speed

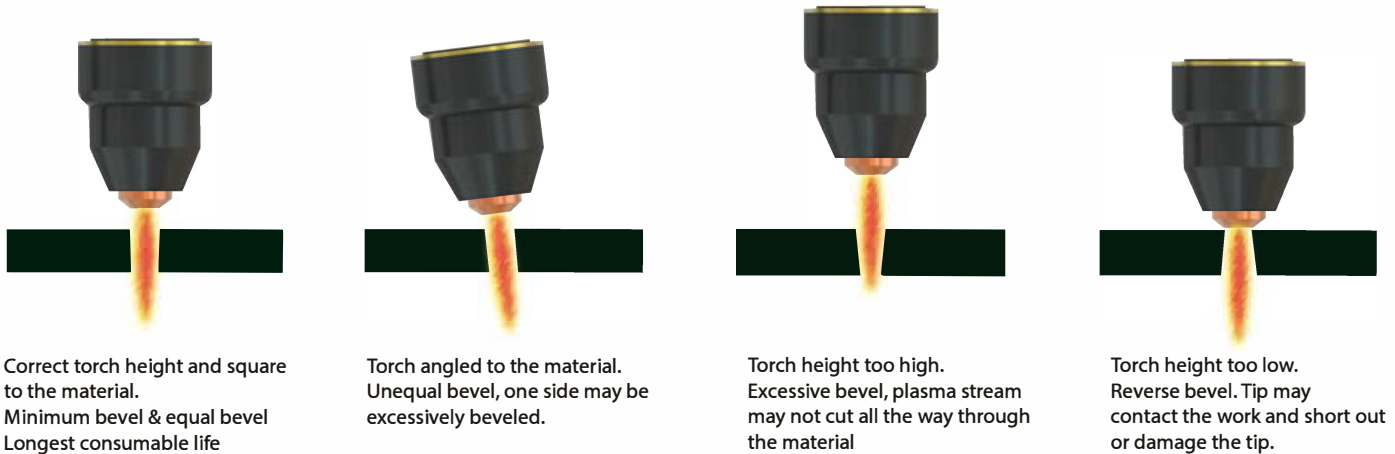
Amperage and speed are critical to producing a good quality cut. The faster you move (especially on aluminum), the cleaner your cut will be. To determine if you're going too fast or too slow, visually follow the arc that is coming from the bottom of the cut. The arc should exit the material at a slight angle away from the direction of travel. If it's going straight down, that means you're going too slow, and you'll have an unnecessary buildup of dross or slag. If you go too fast, it will start spraying back onto the surface of the material without cutting all the way through. Because the arc trails at an angle, at the end of a cut, slow your cutting speed and angle the torch in to cut through the last bit of metal.

- Direction

It is easier to pull the torch towards you than push it. The plasma stream swirls as it exits the tip, biting one side and finishing off on the other leaving a beveled edge and a straight edge. The bevel cut effect is more noticeable on thicker material and needs to be taken into consideration before starting your cut as you want the straight side of the cut to be on the finished piece you keep.

- Torch tip height & position

The distance and position of the plasma torch cutting tip has an affect on the quality of the cut and the extent of the bevel of the cut. The easiest way to reduce bevel is by cutting at the proper speed and height for the material and amperage that is being cut.



- Tip size and condition

The tip orifices focus the plasma stream to the work piece. It is important to use the correct size tip for the amperage being used, for example a tip with a 3/64" orifice is good for 0-40 amps whereas a 1/16" orifice is better for 40-80 amps. The low-amp tip has a smaller orifice which maintains a narrow plasma stream at lower settings for use on thin-gauge material. Using a 25 amp tip at an 60 amp setting will blow out and distort the tip orifice and require replacement. Conversely, using an 80-amp tip on the lower settings will not allow you to focus the plasma stream as well and creates a wide kerf. The condition of the tip orifice is critical to the quality of the cut result, a worn or damaged tip orifice will produce a distorted plasma stream resulting in a poor cut quality.

New Tip



Worn Tip



- Electrode condition

A fixed gap is established between the electrode and the inside of the cutting tip. Electrons arc across the gap, ionizing and super heating the air creating the plasma stream. The electrode contains an insert in the end made of a highly conductive material called hafnium. This insert erodes with use and develops a pit in the end of the electrode, when the pit becomes too much poor quality cuts will result and necessitate replacement of the electrode.

New Electrode



Worn electrode





- Air pressure and volume

Air pressure, flow rate and air quality are critical to quality plasma cutting and consumable life span.

The required air pressure and volume can vary from model to model and the manufacturer will provide the specs.

The Viper cut 30 air pressure is adjustable but requires a minimum of 6CFM and 75psi. The volume capacity of your compressor is important, if you have a small compressor with exactly the same rating as the plasma, then the compressor will run continuously when you are plasma cutting, a compressor with a l/min rating slightly higher than the plasma would be more adequate. If you are doing a lot of cutting, cutting thick plate (same air consumption but slower cut speeds = longer cut time) then choose a compressor at 1.5 to 2 times the plasma system requirement.

- Air quality

Good air quality is essential to quality plasma cutting and consumable life span.

Compressors take in air at atmospheric pressure and increase the pressure and store it in a tank. Humidity in the air is condensed in the tank and in the airlines producing water, more so in humid environments. Moisture that forms in air lines has a tendency to condense into larger drops when the air pressure decreases as it is entering the plasma torch. When these droplets enter into the high temperatures (as much as 19832°F) in the plenum of the torch, they immediately break down into oxygen and hydrogen, which alters the normal chemical content of air in the torch. These elements will then dramatically change the plasma arc which causes the torch consumable parts to wear very quickly, alters the shape of the nozzle orifice, dramatically affecting cut quality in terms of edge squareness, dross formation, and edge smoothness. Minimising the moisture in the air supply is absolutely critical to quality plasma cuts and longevity of consumable parts. As a minimum be sure to drain the receiver (tank) on the air compressor at least daily. Most air plasma systems from reputable manufacturers have an on board particulate filter and or a coalescing filter with an auto drain that will remove some moisture from the air supply. For home workshop and light industrial users the on board air filter is adequate. Most situations however will require additional filtration to prevent moisture from affecting the quality of the plasma cutter and in most cases it is recommended to install a sub micronic particulate filter that is designed to trap water through absorption. This style of filter has a replaceable filter cartridge that absorbs water and must be changed after it is near saturation, it should be installed close as possible to the air intake of the plasma cutter.

Sub Micronic Filter example

Filter Element example



Note: The drier the air, the longer your consumable life!!

- Technique Tips

- It is easier to pull the torch through the cut than to push it.
- To cut thin material reduce the amperage until you get the best quality cut.
- Use the correct size tip orifice for the amperage being used.
- For Straight cuts use a straight edge or cutting buggy as a guide. For circles, use a template or circle cutting attachment.
- Check that the front end consumable parts of the plasma cutting torch are in good condition.

- Starting a cut



Hold the torch vertical at the edge of the work piece



Pull the trigger to start the pilot arc. The cutting arc will initiate when the torch tip is close enough to the work piece. Start cutting on the edge until the arc has cut completely through.



Then, proceed with the cut.

Note: Torch design varies from Machine to Machine

- Hand torch cutting technique



When cutting make sure that sparks are exiting from the bottom of the work piece.



If sparks are spraying up from the work piece, you are moving the torch too fast, or you don't have enough amps set.



Hold the torch vertical and watch the arc as it cuts along the line.



- Piercing



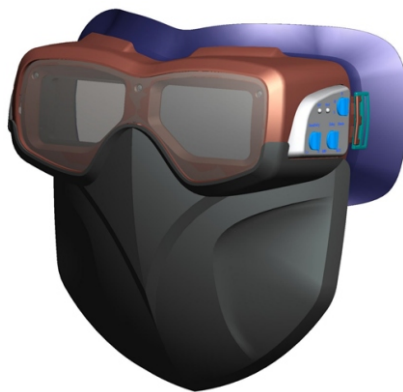
Hold the torch at an angle to the work piece, pull the trigger to start the arc and slowly rotate it to an upright position.



When sparks are exiting from the bottom of the work piece, the arc has pierced through the material.



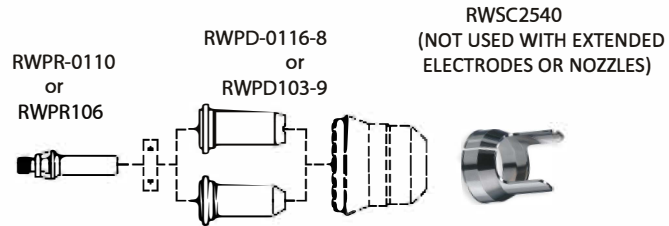
When the pierce is complete, proceed with cutting.



Always wear face and hand protection when Plasma cutting. A shade 5 Welding Helmet or goggles are recommended and always wear hand protection and Industrial grade approved footwear. The plasma cutting process produces very hot particles which are forced away from the cutting piece using air as the cutting and cooling medium. This superheated air must be treated with extreme caution.

## VIPERCUT 30 Plasma Parts

### Torch Parts: Codes and Pack Qty



#### TORCH PARTS:I

Part Number	Description	EAN CODE
JVPC30LT12	12Ft TRF45 Plasma Cutting Torch	0680474945245



#### Cutting Nozzles

Part #	Description	QTY	EAN CODE
RWPD-0116-8	Cutting Nozzle	5/Pack	0680474943876



#### Cutting Electrodes

Part #	Description	QTY	EAN CODE
RWPR-0110	Cutting Electrodes	5/Pack	0680474943883



#### Retaining Cap

Part #	Description	QTY	EAN CODE
RWPC-0116	Nozzle Retaining Cap	1	0680474943906



#### Swirl Ring

Part#	Description	QTY	EAN CODE
RWPE-0106	Swirl Ring	1	0680474943890



#### Buggy

Part#	Description	QTY	EAN CODE
RWSC-2551	Buggy	1	0680474943913



#### Standoff guide

Part#	Description	QTY	EAN CODE
RWSC2540	Stand off guide (2 Prong)	1	0680474945528



#### Extended cutting nozzle

Part#	Description	QTY	EAN CODE
RWPD103-9	Extended Drag Nozzle	5/Pack	0680474945504



#### Extended cutting Electrode

Part#	Description	QTY	EAN CODE
RWPR106	Extended Cutting Electrode	5/Pack	0680474945511

These quality parts are manufactured in China and Italy and are offered as replacement parts suitable for the TRAFIMET® S45 Plasma torch.

## WARRANTY

JASIC Technologies America Inc ('Us', 'We') warrants that the following products under Viper supplied by Us and purchased by you from an Authorised Dealer throughout the U.S.A & Canada are free of Material and Faulty Workmanship defects except for those products listed under 'Warranty Exclusions'.

These terms and conditions supersede and exclude all former and other representations and arrangements relating to any warranties on these products.

## WARRANTY PERIOD

We offer the following 'Warranty Periods' from 'date of purchase':

An Extended Warranty Period of 6 months total shall apply only to Machinery where offered and warranty is registered online.

VIPERCUT 30 Inverter PLASMA (Power Source Only)	1 Year	(Clause 3)
TORCHES -GMAW, GTAW, MMAW, PLASMA, EARTH LEADS,	3 Months	(Clause 1)

(Clause 3) This only Covers Manufacturers faults on all Machines for the first 12 months after date of purchase.

(Clause 1) This only covers Manufacturers faults on Torches and Leads for the first 3 months after the date of purchase.

• SELLER MAKES NO WARRANTIES EXPRESSED OR IMPLIED, INCLUDING BUT NOT BY WAY OF LIMITATION, ANY IMPLIED WARRANTY OF MERCHANTABILITY AND ANY IMPLIED WARRANTY OF FITNESS FOR A PARTICULAR PURPOSE, ON ANY ORDER EXCEPT THAT SELLER WARRANTS TITLE TO ALL GOODS FURNISHED BY SELLER AND EXCEPT THAT SELLER WARRANTS FOR A PERIOD OF ONE YEAR FROM THE DATE MARK LOCATED ON THE SELLER'S IDENTIFICATION TAG THAT ALL GOODS DESCRIBED ON SELLER'S ACKNOWLEDGMENT OF PURCHASER'S PURCHASE ORDER WILL BE MANUFACTURED IN ACCORDANCE WITH THE SPECIFICATIONS, IF ANY, SET FORTH IN SAID PURCHASE ORDER AND EXPRESSLY ACCEPTED IN SELLER'S ACKNOWLEDGMENT SUBJECT TO SELLER'S STANDARD MANUFACTURING VARIATIONS AND PRACTICES. IN THE CASE OF COMPONENTS OR ACCESSORIES FURNISHED BY SUPPLIERS TO SELLER, PURCHASER'S WARRANTY FROM SELLER SHALL BE LIMITED TO THE WARRANTY OF THE COMPONENT OR ACCESSORY SUPPLIER. THE FOREGOING WARRANTIES ARE THE SOLE AND EXCLUSIVE WARRANTIES APPLICABLE TO THE GOODS DELIVERED, AND ALL OTHER WARRANTIES, EXPRESS OR IMPLIED, INCLUDING WITHOUT LIMITATION ANY WARRANTY OF MERCHANTABILITY, ARE HEREBY EXPRESSLY DISCLAIMED AND NEGATED. WITHOUT LIMITING THE GENERALITY OF THE FOREGOING, PURCHASER ACKNOWLEDGES THAT SELLER'S PRODUCTS ARE NOT PACKAGED OR PROTECTED FOR LONG PERIODS OF STORAGE AND THUS MAY CORRODE OR RUST OVER TIME..

## WARRANTY / RETURNS / EXCHANGES

We understand that sometimes a product may need to be returned. If you have purchased from a VIPER OR RAZORWELD Authorised Dealer Network, to assist you in following the correct procedure enclosed is the returns policy.

Our Returns Policy includes the rights you have under the American consumer Law and other relevant laws. You are entitled to a replacement or refund for a major failure and for compensation for any other reasonably foreseeable loss or damage. You are also entitled to have the goods repaired or replaced if the goods fail to be of acceptable quality and the failure does not amount to a major failure.

- You shall inspect the Goods on delivery and shall within seven (7) days of delivery (time being of the essence) notify CoreOne of any alleged defect, shortage in quantity, damage or failure to comply with the description or quote.
- You shall also afford CoreOne the opportunity to inspect the Goods within a reasonable time following delivery if you believe the Goods are defective in any way.
- If you shall fail to comply with these provisions the Goods shall be presumed to be free from any defect or damage. For defective Goods, Which CoreOne has agreed in writing that you are entitled to reject, Core One's liability is limited to, at the discretion of CoreOne to either replacing the Goods or repairing the Goods except where you have acquired Goods as a consumer within the meaning of the relevant State legislation and trade act policies and is therefore also entitled to, at the consumer's discretion either a refund of the purchase price of the Goods, or repair of the Goods, or replacement of the Goods.

Returns will only be accepted provided that:

- (a) You have complied with the provisions outlined above, and
- (b) where the Goods are unable to be repaired, the Goods are returned at your cost within thirty (30) days of the delivery date, and
- (c) JASIC will not be liable for Goods which have not been stored or used in a proper manner, and
- (d) the Goods are returned in the condition in which they were delivered and with all packaging material, brochures and instruction material in as new condition as is reasonably possible in the circumstances.

- JASIC accepts no responsibility for products lost, damaged or mislaid whilst in transit
- JASIC may (at their sole discretion) accept the return of Goods for credit but this may incur a handling fee of up to fifteen percent (15%) of the value of the returned Goods plus any freight costs.
- Where a failure does not amount to a major failure, JASIC is entitled to choose between providing you with a repair, replacement or other suitable remedy.

## PURCHASER'S REMEDIES :

WITH RESPECT TO ANY CLAIM ARISING OUT OF ANY ORDER, ANY GOODS DELIVERED PURSUANT TO ANY ORDER AND EXPRESSLY ACCEPTED IN SELLER'S ACKNOWLEDGMENT, OR SELLER'S PERFORMANCE IN CONNECTION WITH ANY ORDER, INCLUDING, WITHOUT LIMITATION, ANY CLAIM ARISING OUT OF ANY RECALL, DEFECT OR ALLEGED DEFECT IN ANY GOODS OR SERVICES FURNISHED BY SELLER, SHALL BE LIMITED EXCLUSIVELY TO THE RIGHT OF REPAIR OR REPLACEMENT OF SUCH GOODS OR SERVICES, AT SELLER'S OPTION. WITHOUT IN ANY WAY LIMITING THE GENERALITY OF THE FOREGOING, IN NO EVENT SHALL SELLER BE LIABLE FOR ANY CONSEQUENTIAL OR INCIDENTAL DAMAGES, INCLUDING, WITHOUT LIMITATION, ANY LOSS OF ANTICIPATED PROFITS INCURRED BY PURCHASER WITH RESPECT TO ANY GOODS OR SERVICES FURNISHED BY SELLER, OR ANY DAMAGES ARISING FROM INJURIES TO PERSONS AS A RESULT OF PURCHASER'S OR A THIRD PARTY'S NEGLIGENCE. SELLER'S WARRANTY DOES NOT COVER FAILURES RESULTING FROM THE IMPROPER INSTALLATION, MOUNTING DESIGN OR APPLICATION OR FROM CORROSION. THE PROVISIONS OF THIS PARAGRAPH ARE A MATERIAL TERM OF THIS TRANSACTION.

## MAKING A CLAIM

If you wish to make a claim under this Warranty, you should:

- Return the product to the point of purchase either in person or on a prepaid courier; or
  - Contact Us by Telephone on (+1) (253)859-6277 OR E-mail: sales@razorweld.com
- 
- When returned, the product must be accompanied with the original invoice including the purchase price and disclosing the purchase date
  - All costs of installation, cartage, freight, travelling expenses, hiring tools and insurance are paid by the Customer.
  - To the extent permitted by law, our total liability for loss or damage of every kind related to the product in any way whatsoever is limited to the amount paid to the retailer by you for the product or the value of the product.

No responsibility will be taken for products lost, damaged or mislaid whilst in transit.

## WARRANTY EXCLUSIONS

This Warranty covers Material and Faulty Workmanship defects only.

This Warranty does not cover damage caused by:

- Normal wear and tear due to usage
- Misuse or abusive use of the JASIC instructions supplied with the product.
- Failure to clean or improper cleaning of the product
- Failure to maintain the equipment such as regular services etc
- Incorrect voltage or non-authorized electrical connections
- Improper installation
- Use of non-authorized/non-standard parts
- Abnormal product performance caused by any ancillary equipment interference or other external factors
- Failure or any breakage caused by overload, dropping or abusive treatment or use by the customer
- Repair, modifications or other work carried out on the product other than by an Authorized JASIC Dealers

Unless it is a manufacturing fault, this Warranty does not cover the following parts:

MIG Welding Torches and Consumables to suit, such as:

Gas Nozzles, Gas Diffusers, Contact Tip holder, Contact tip, Swan Necks, Trigger, Handle, Liners, Wire Guide, Drive Roller, Gas Nozzle Spring, Neck Spring, Connector Block, Insulator, Gas Nipple, Cap, Euro Block, Head Assembly, Gas Block, Trigger Spring, Spring Cable Support, Neck Insulator, Shroud Spring, Gun Plug Cover, Lock Nut, Snap On Head, Spring Cap, Ball, Motor 42 Volt, Pot 10K standard, Knob, Drive Roll Seat, Washer, Bow, Ball Bearing, Wire Conduit Nipple, Central Plug, Printed Circuit Board, Gun Plug House, Cable Support, Gas Connector, Handle To Suit PP36 with Knobs, & Electrodes, Arc Leads, Welding Cable, Electrode Holder, Earth Clamps

TIG Welding Torches and Consumables to suit, such as:

Tungsten Electrodes, Collet, Collet Body, Alumina Nozzle, Torch Head, Torch Head water Cooled, Torch Head Flexible, Back Caps, Gas Lens, Torch Handle, Cup Gasket, Torch Body Gas Valve, O-ring, Arc Leads, Welding Cable, Electrode Holder, Earth Clamps.

PLASMA Cutting Torches and Consumables to suit, such as:

All Cutting Tips, All Diffuser/Swirl Ring, All Electrode, Retaining Caps, Nozzle Springs, All Spacers, All Shield Caps, All Air and Power Cables, All Switches, All O-rings, All Springs, All Circle Guides and Cutting Kits, Torch Bodies, Air Filter Regulator, Arc Leads, Welding Cable, Electrode Holder, Earth Clamps

STRAIGHT LINE CUTTING MACHINES and Consumables to suit, such as:

Hoses, Fittings, Track, Cutting Nozzles.

HIT-8SS Welding Carriage Consumables to suit, such as:

Input Cord, Inter-connecting Cord, Triggering Cable.

This Warranty does not cover products purchased:

- From a non-authorized Dealer (such as purchases from unauthorized retailers and purchases over the Internet from unauthorized local/international sellers or sites such as EBay)
- At an auction;
- From a private seller Unless it is a manufacturing fault, this Warranty does not apply to any products sold to Hire Companies.

These conditions may only be varied with the written approval of the Directors of JASIC Technologies America Inc

REMEMBER TO RETAIN YOUR ORIGINAL INVOICE FOR PROOF OF PURCHASE.





JASIC Technologies America Inc  
25503 74th Ave S Kent WA 98032 USA

Fax : +1 253-859-6286  
e-mail: [sales@razorweld.com](mailto:sales@razorweld.com)

**VIPERCUT**